

# **AW-CM256SM**

## **Reference Design Guide**

**Rev. A**

(For Standard)

## Revision History

Version	Revision Date	Description	Initials	Approved
A	2020/5/7	● Initial Version	Licheng. Wang	N.C. Chen



## **1 Overview**

### **1.1 Device supported**

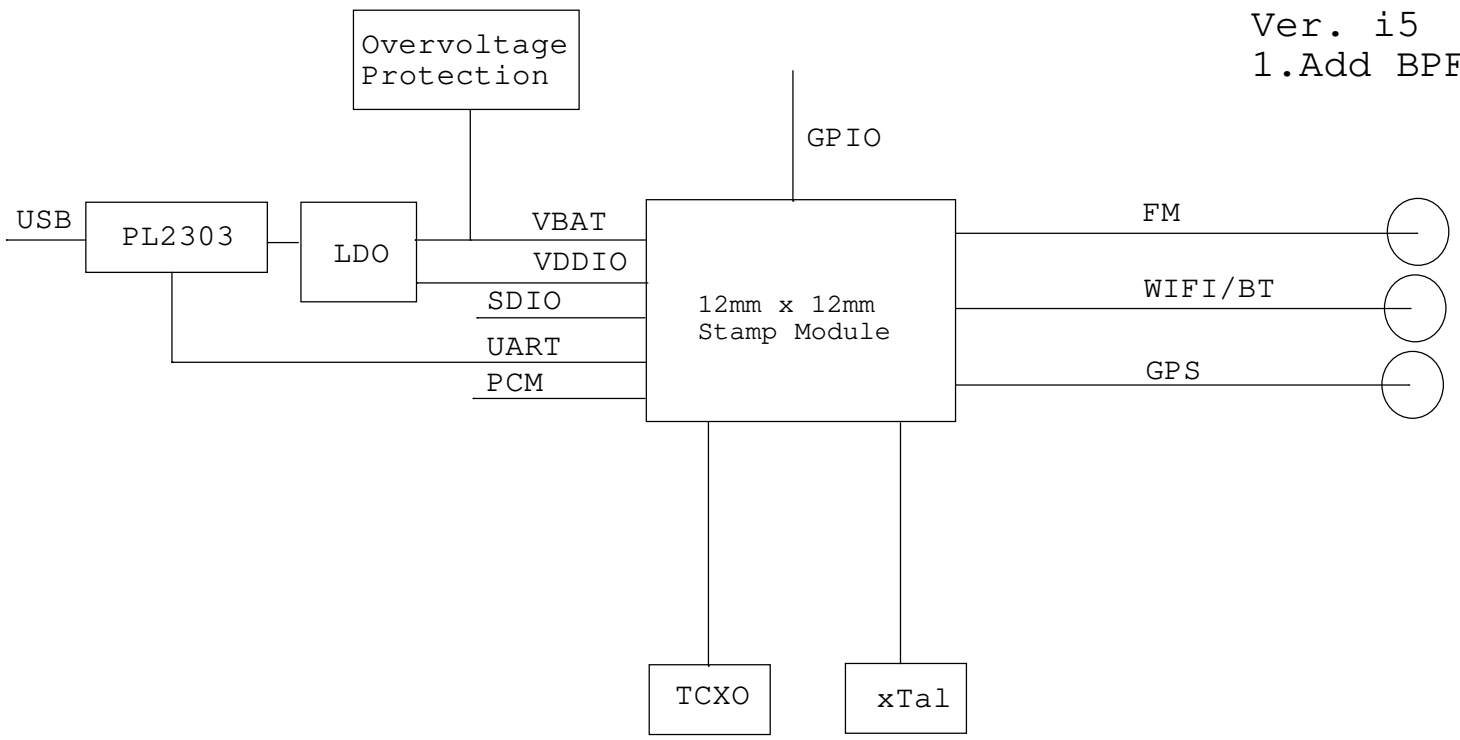
This document is used for AW-CM256SM.



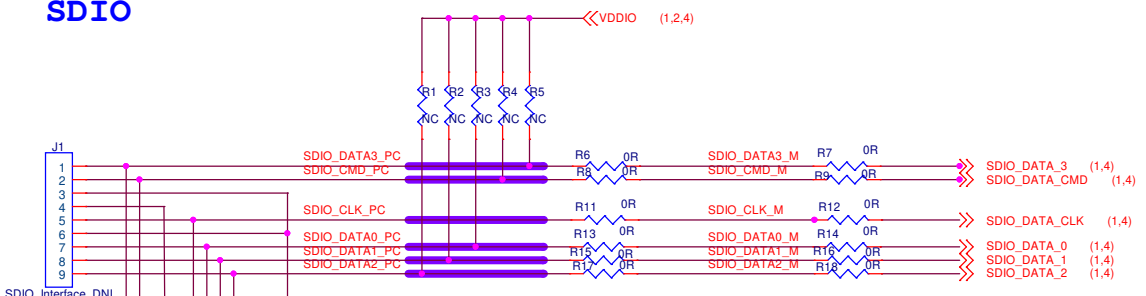
## 2. Reference Design

Please see the below pages.

Ver. i1  
 Modified from 2288SM-I1  
 1.Add PL2303  
 2.Add GPIO pin out  
 Ver. i2  
 1.Add 3.6V LDO  
 Ver. i3  
 1.For Nikon only  
 Ver. i4  
 1.Modify WL\_REG\_ON  
 2.Add Overvoltage protection  
 Ver. i5  
 1.Add BPF for RF trace as a selection.

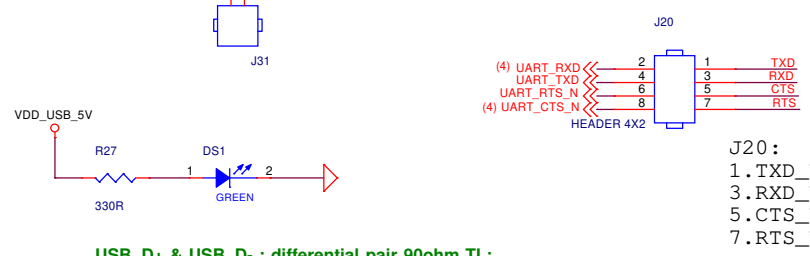


# SDIO

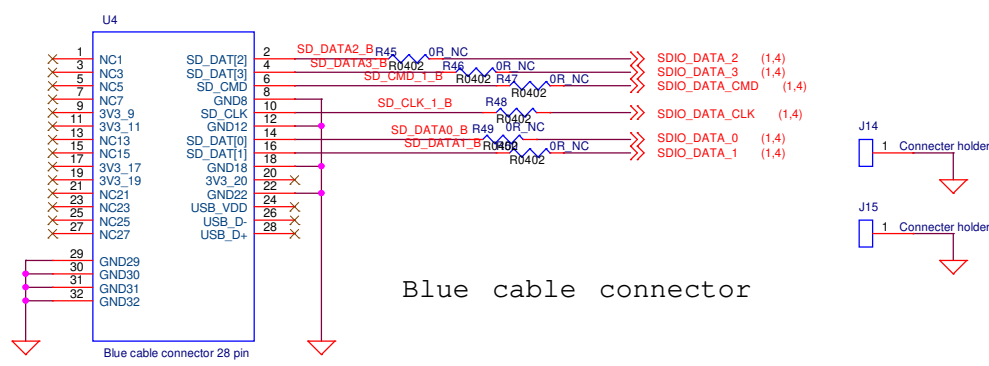
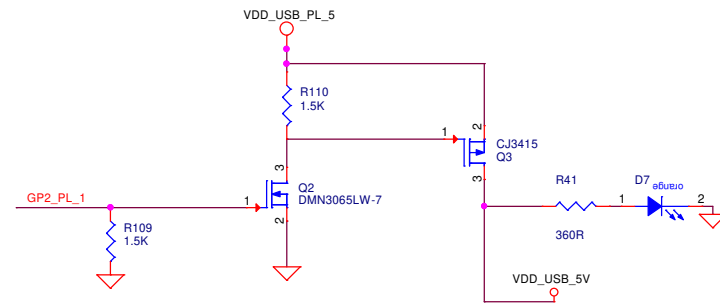
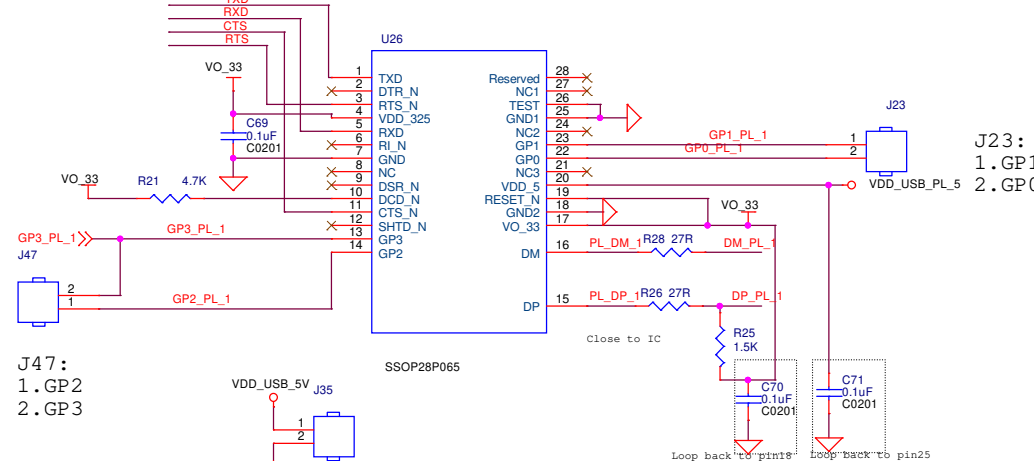


# UART

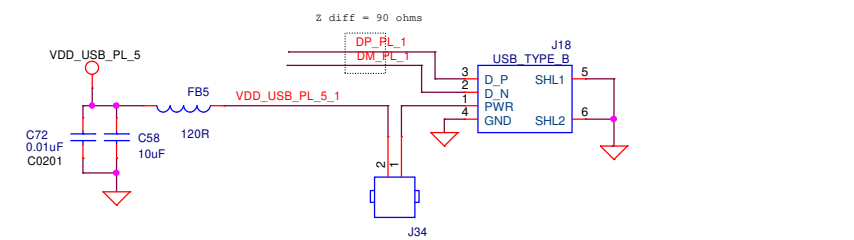
- 1. TXD
- 3. RXD
- 5. CTS
- 7. RTS



USB\_D+ & USB\_D- : differential pair 90ohm TL;



Blue cable connector

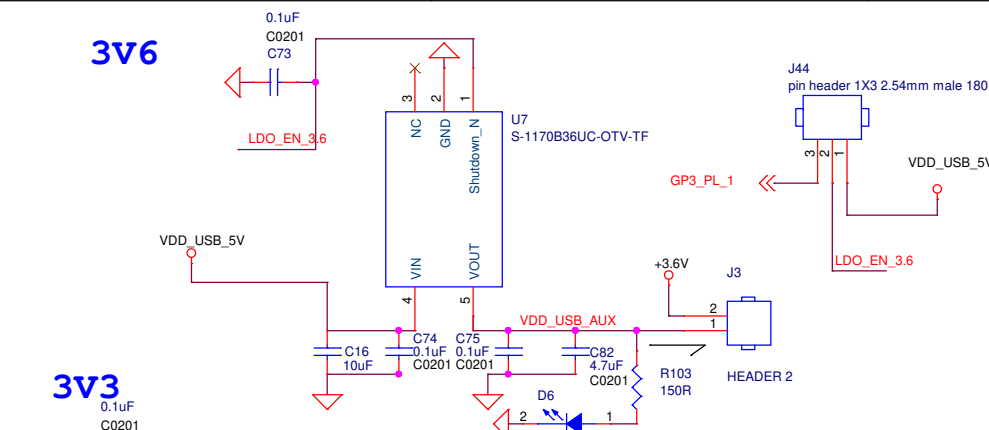


**AzureWave**  
AzureWave Technologies, Inc.

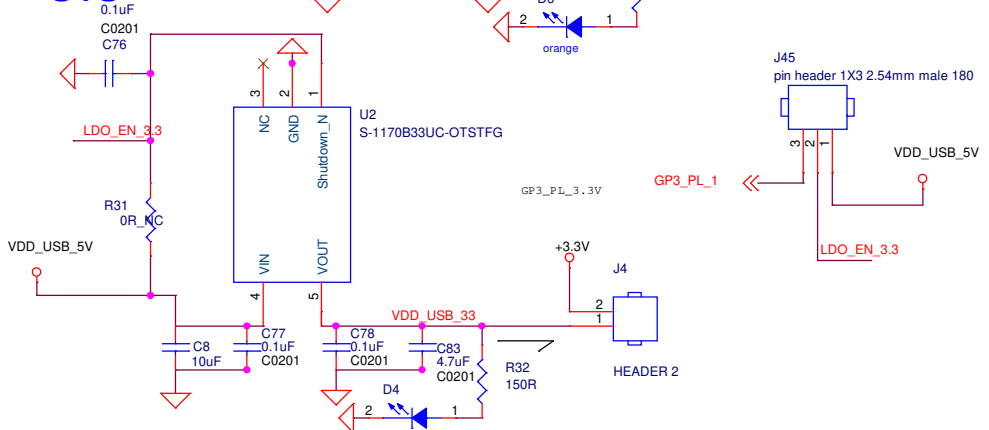
Title: **Host Interface**

Size A3	Document Number RD2-2256SM-I4	Rev I4
Date: Monday, December 24, 2018	Sheet 1 of 5	

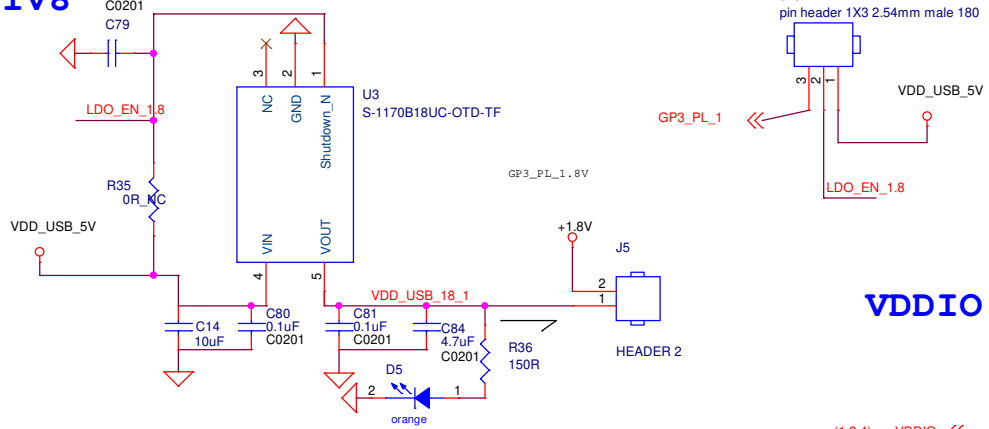
### 3V6



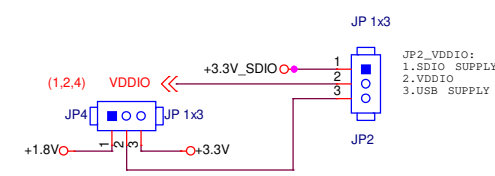
### 3V3



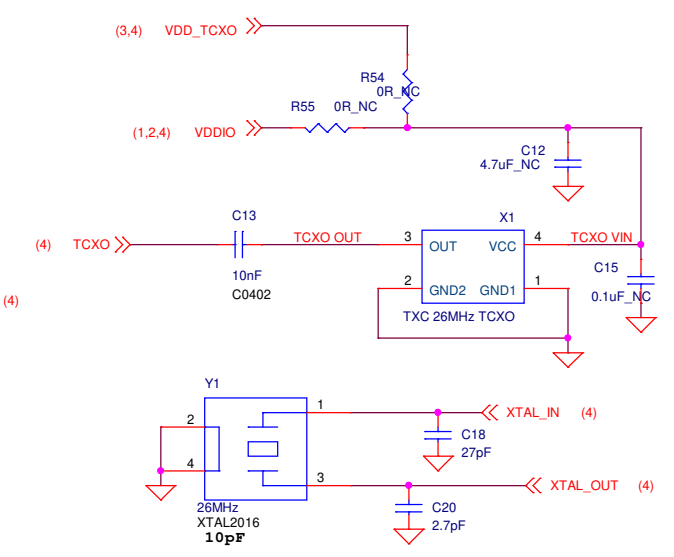
### 1V8



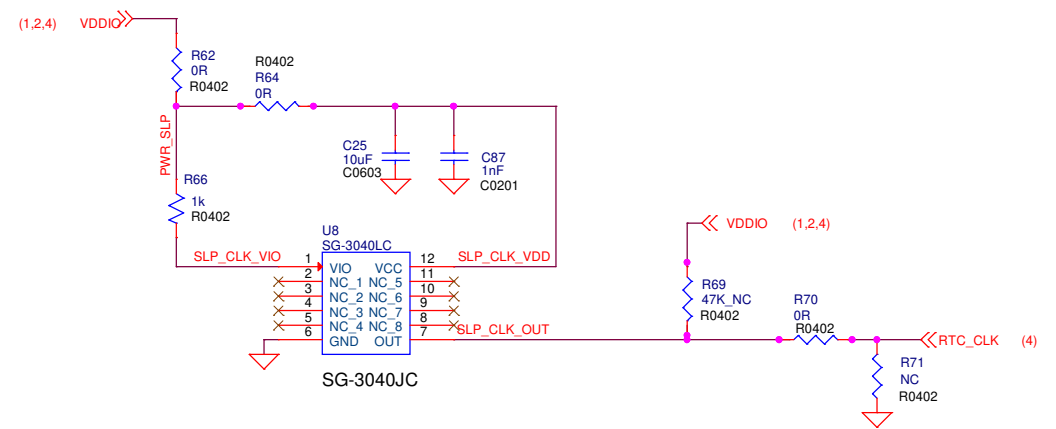
### VDDIO



## 26MHz CLOCK

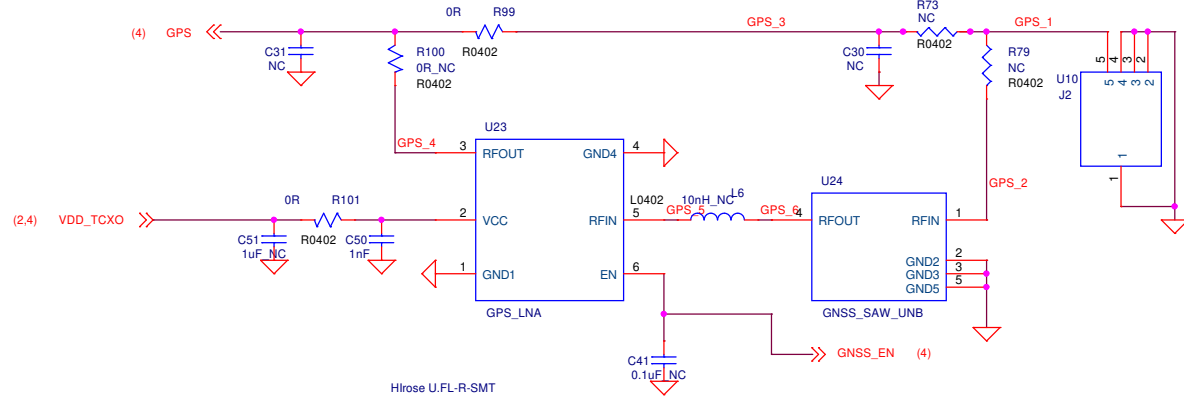


## SLEEP CLOCK

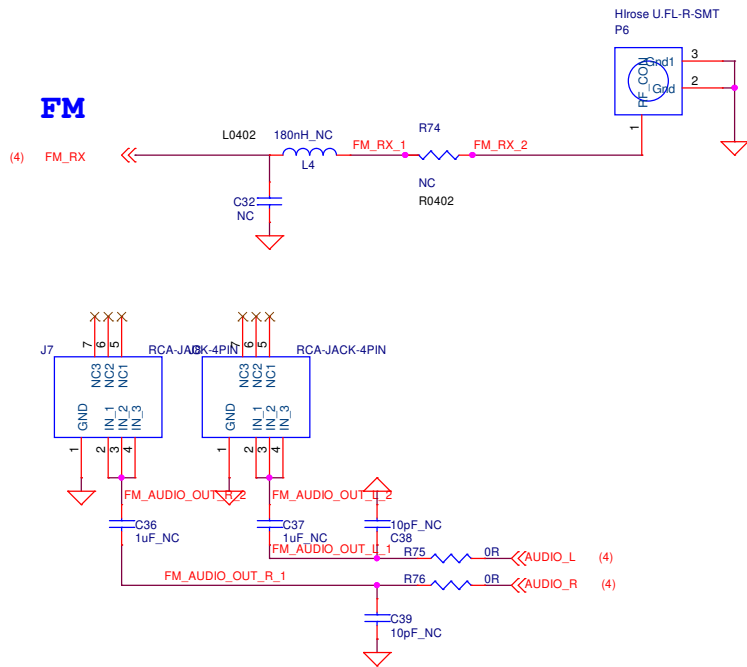


 AzureWave Technologies, Inc.		
<b>Title</b> Power and Clock		
<b>Size</b> B	<b>Document Number</b> RD2-2256SM-I4	<b>Rev</b> 4
<b>Date</b> Monday, December 24, 2018	<b>Sheet</b> 2 of 5	

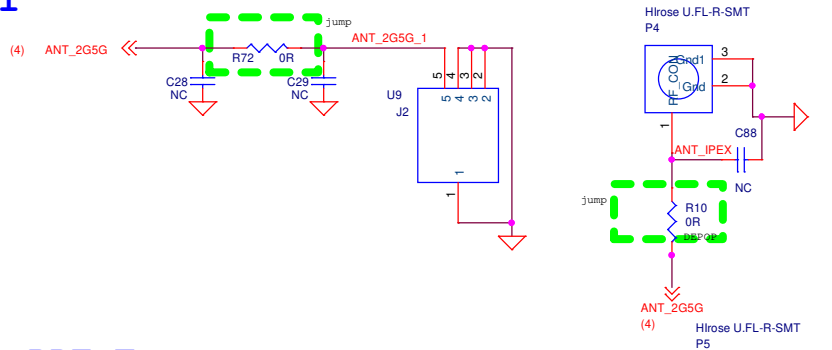
# GPS



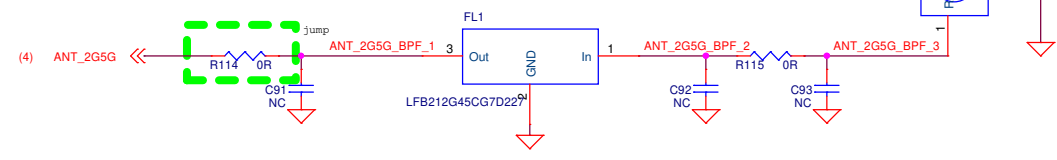
# FM



# WiFi



# WiFi BPF Trace



# WiFi Insertion Loss

